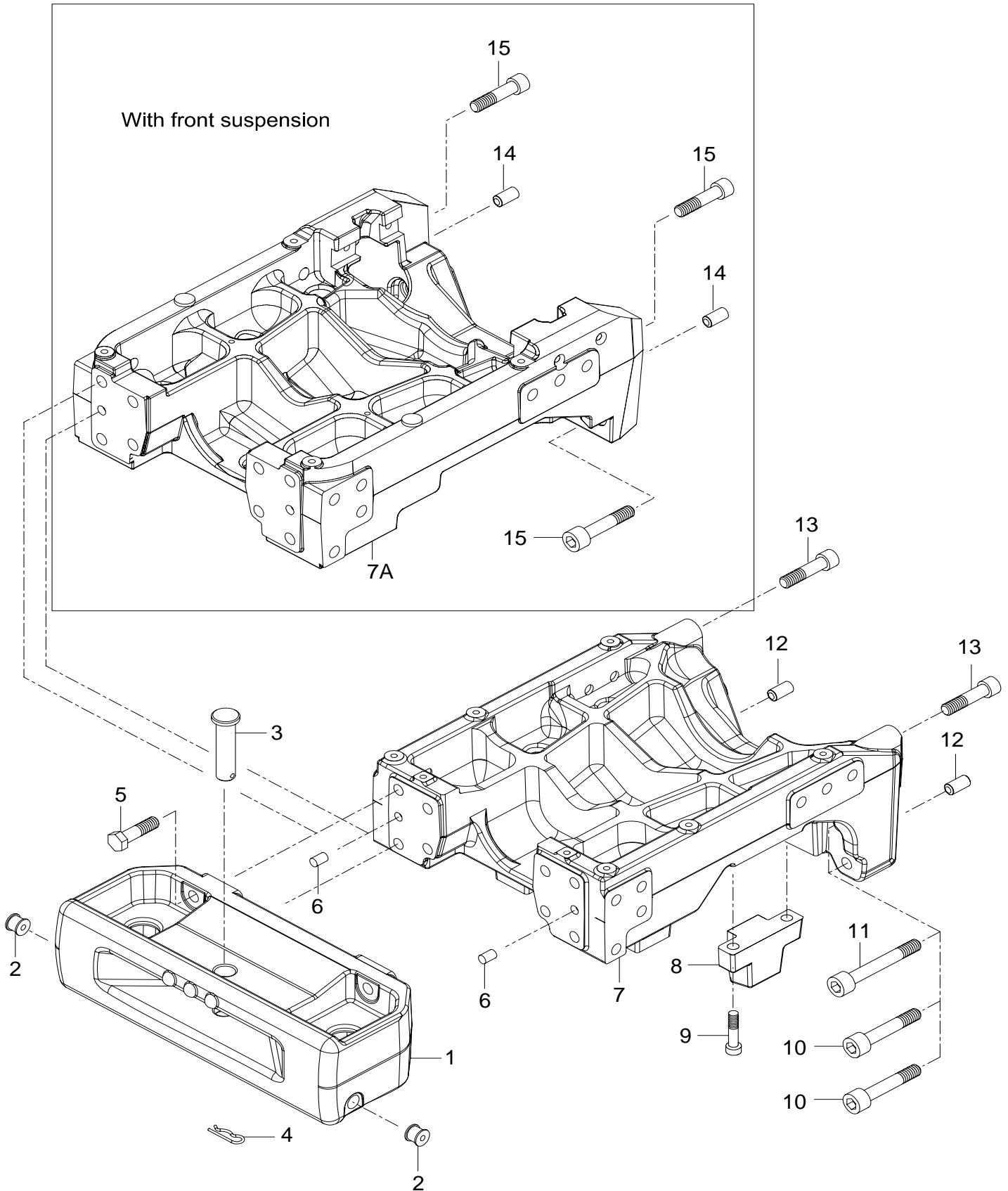
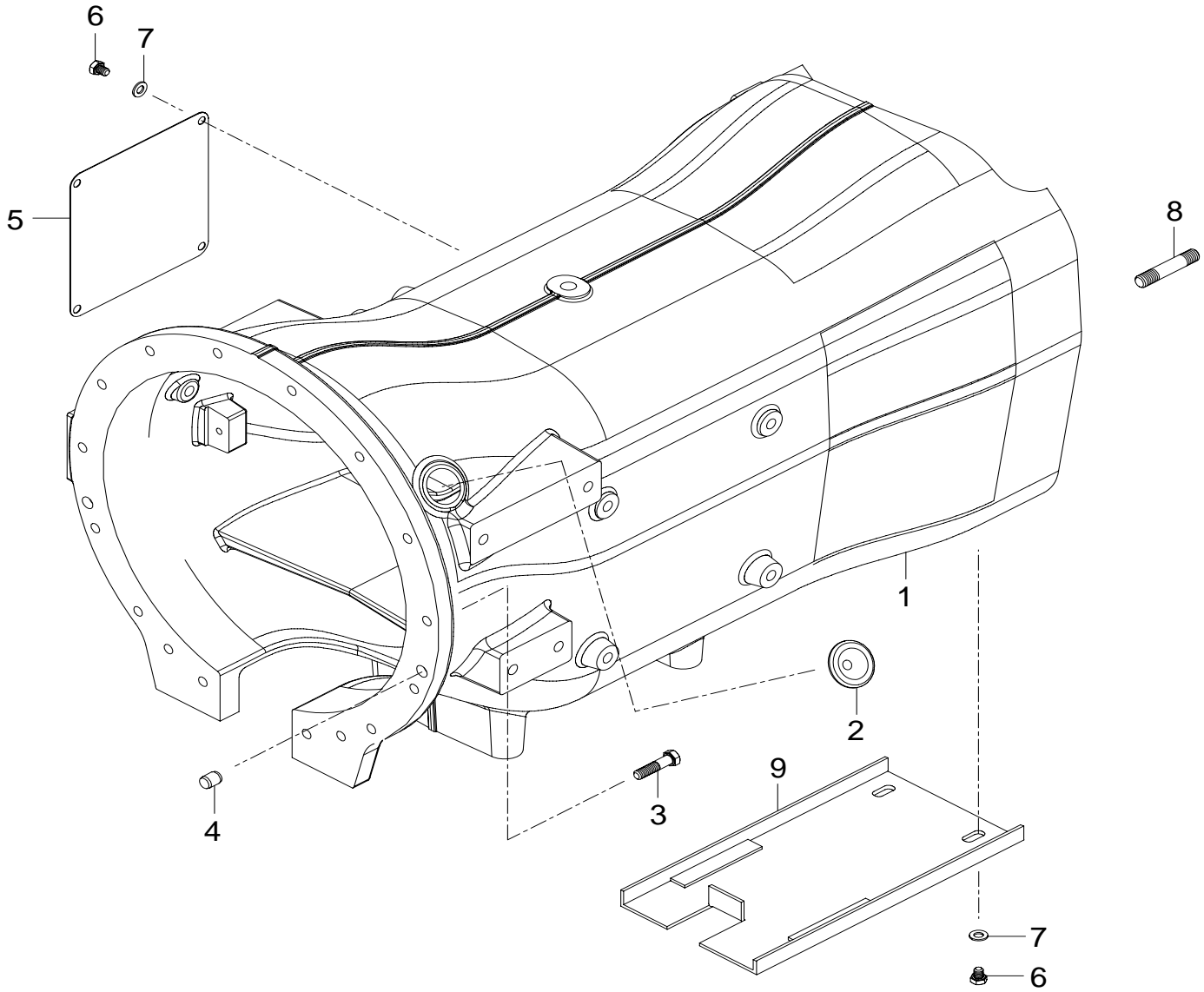


With front suspension

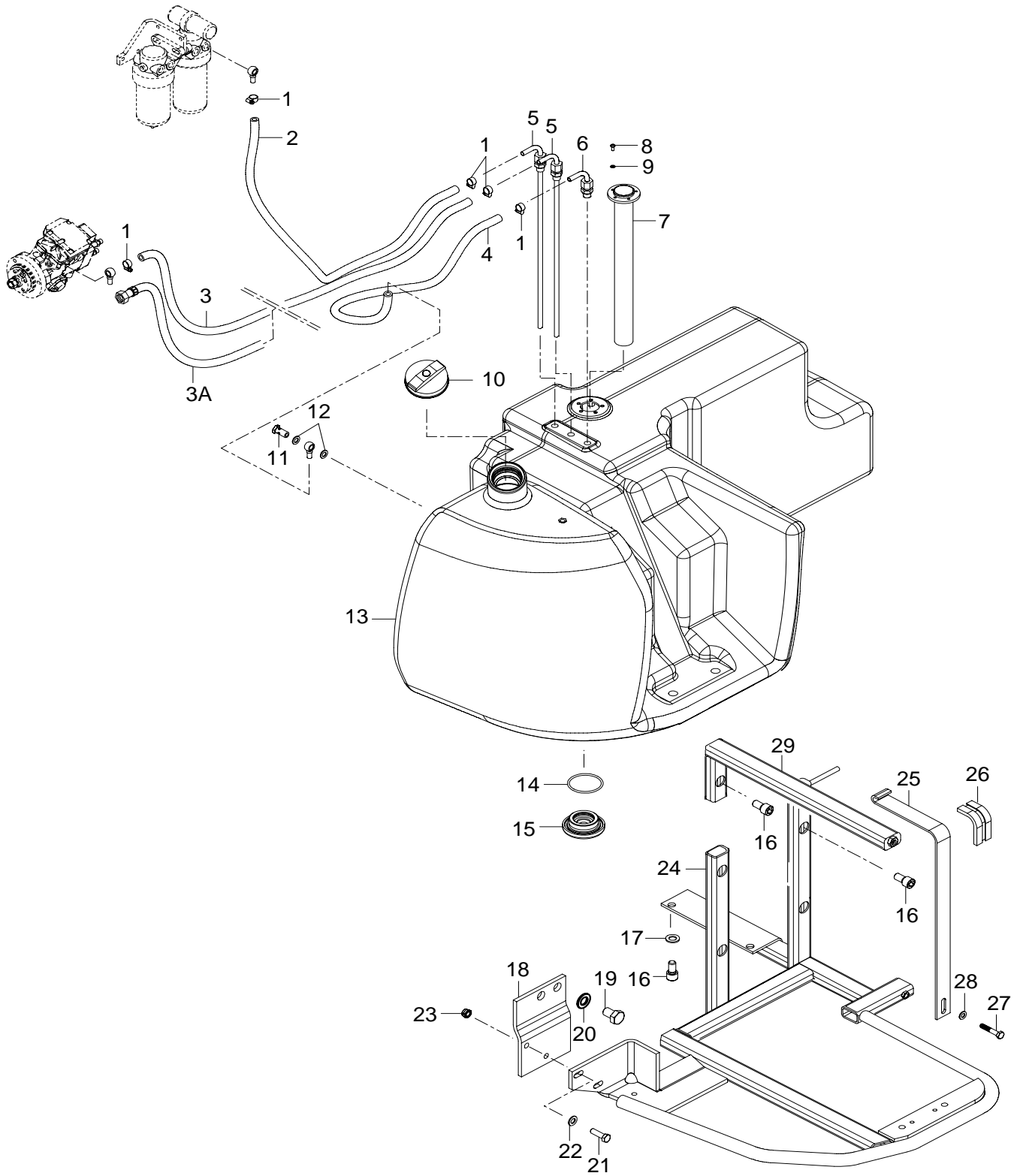


25.5.2007

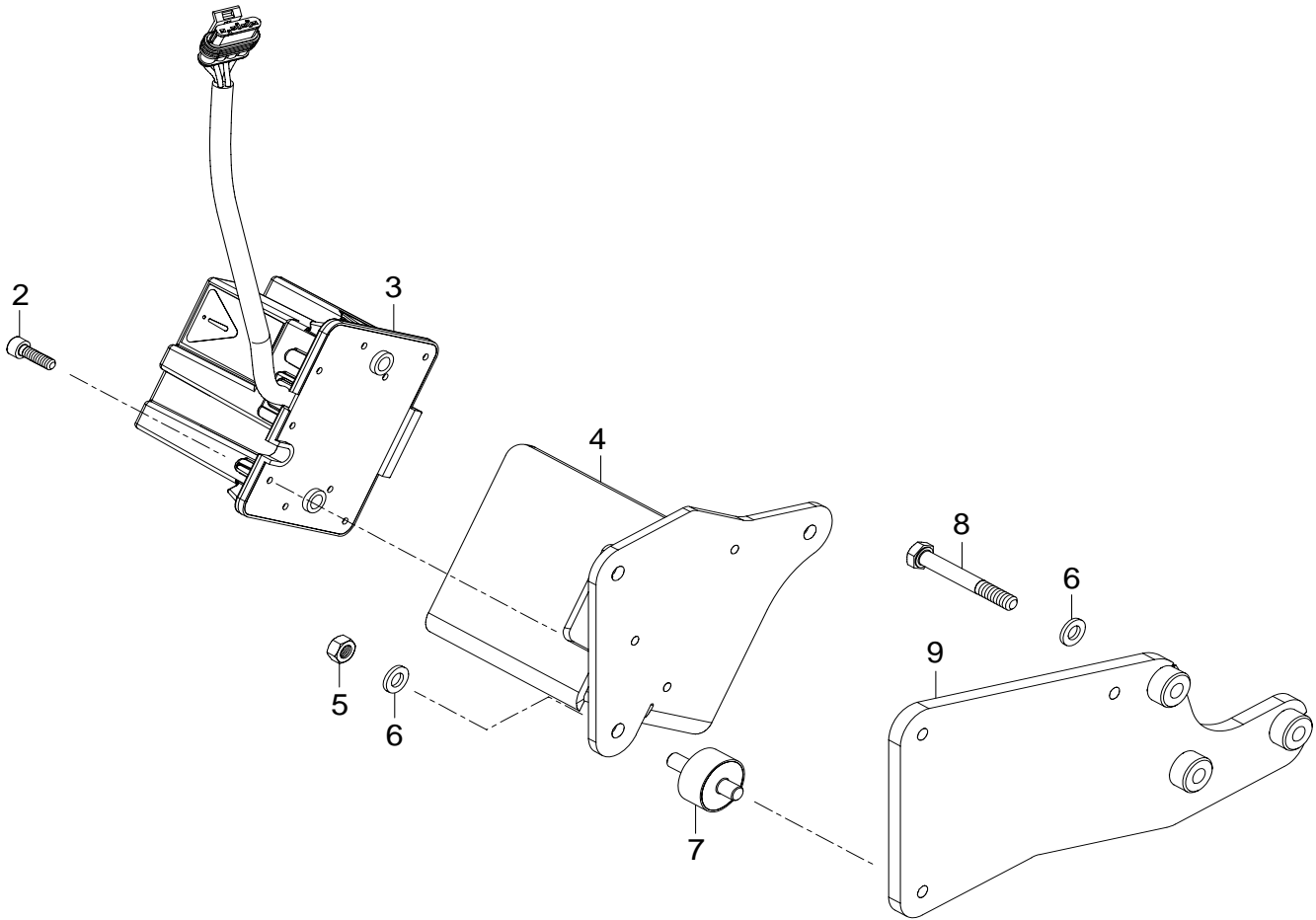
N91c, N91h, N101c,  
N101h, N111c, N111h,  
N111eh, N121h,  
N121LS, N141h, N141LS

25.5.2007

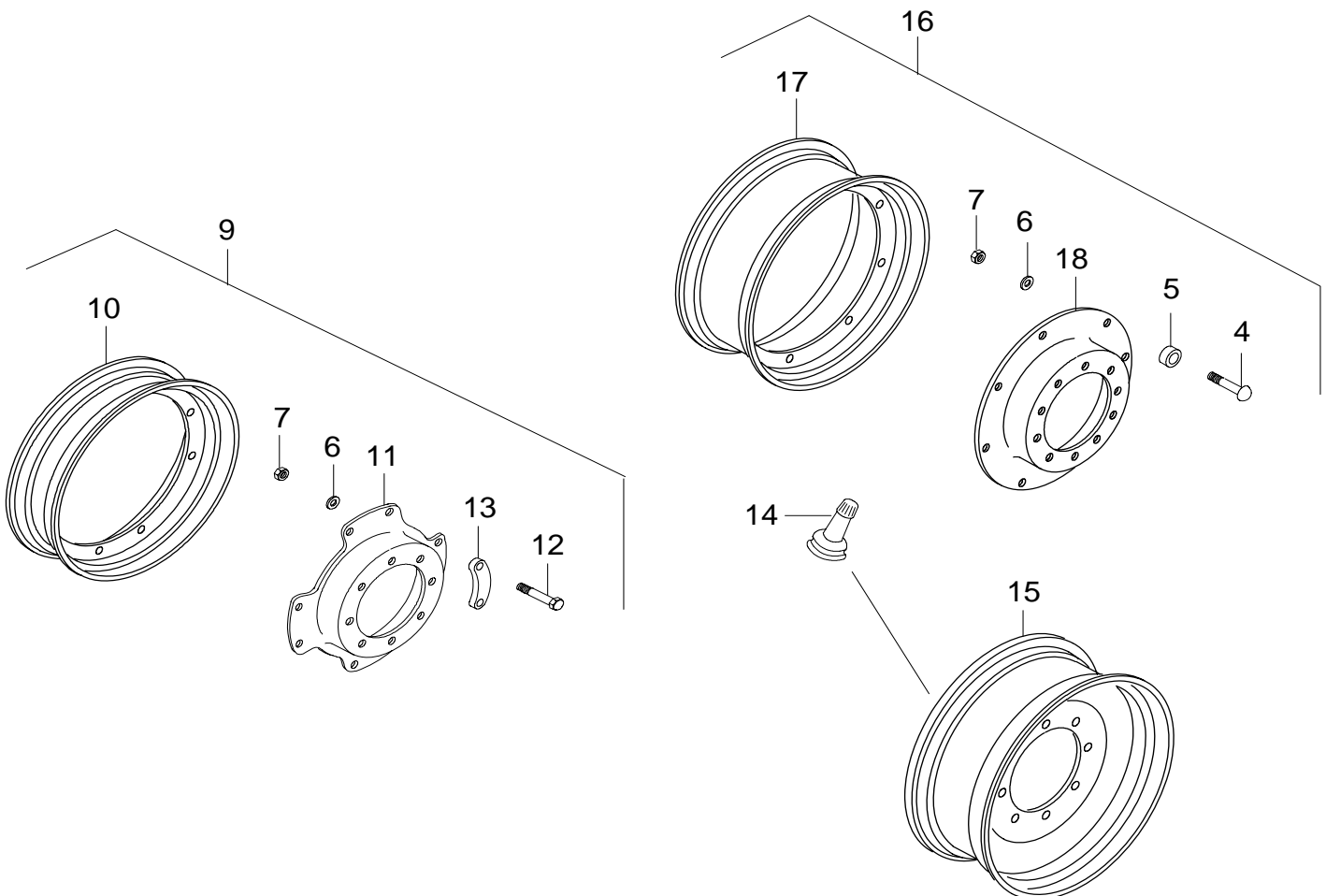
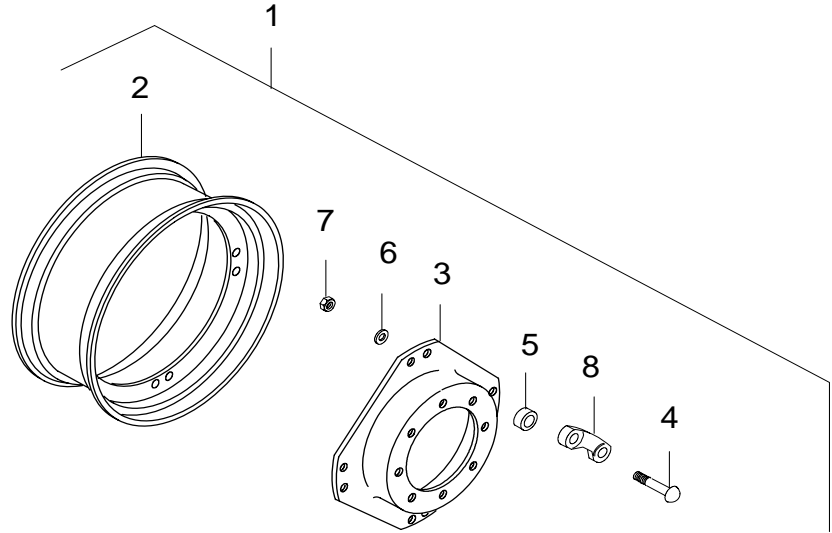
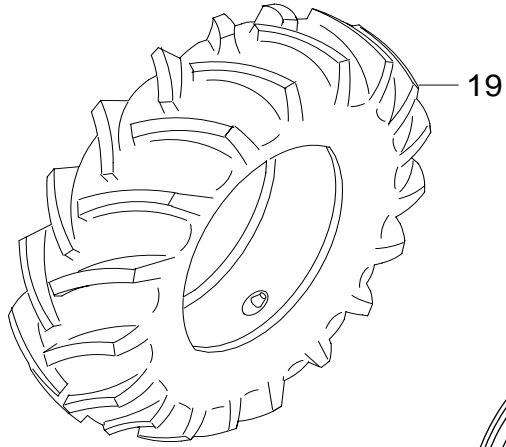
N91c, N91h, N101c,  
N101h, N111c, N111h,  
N111eh, N121h,  
N121LS, N141h, N141LS



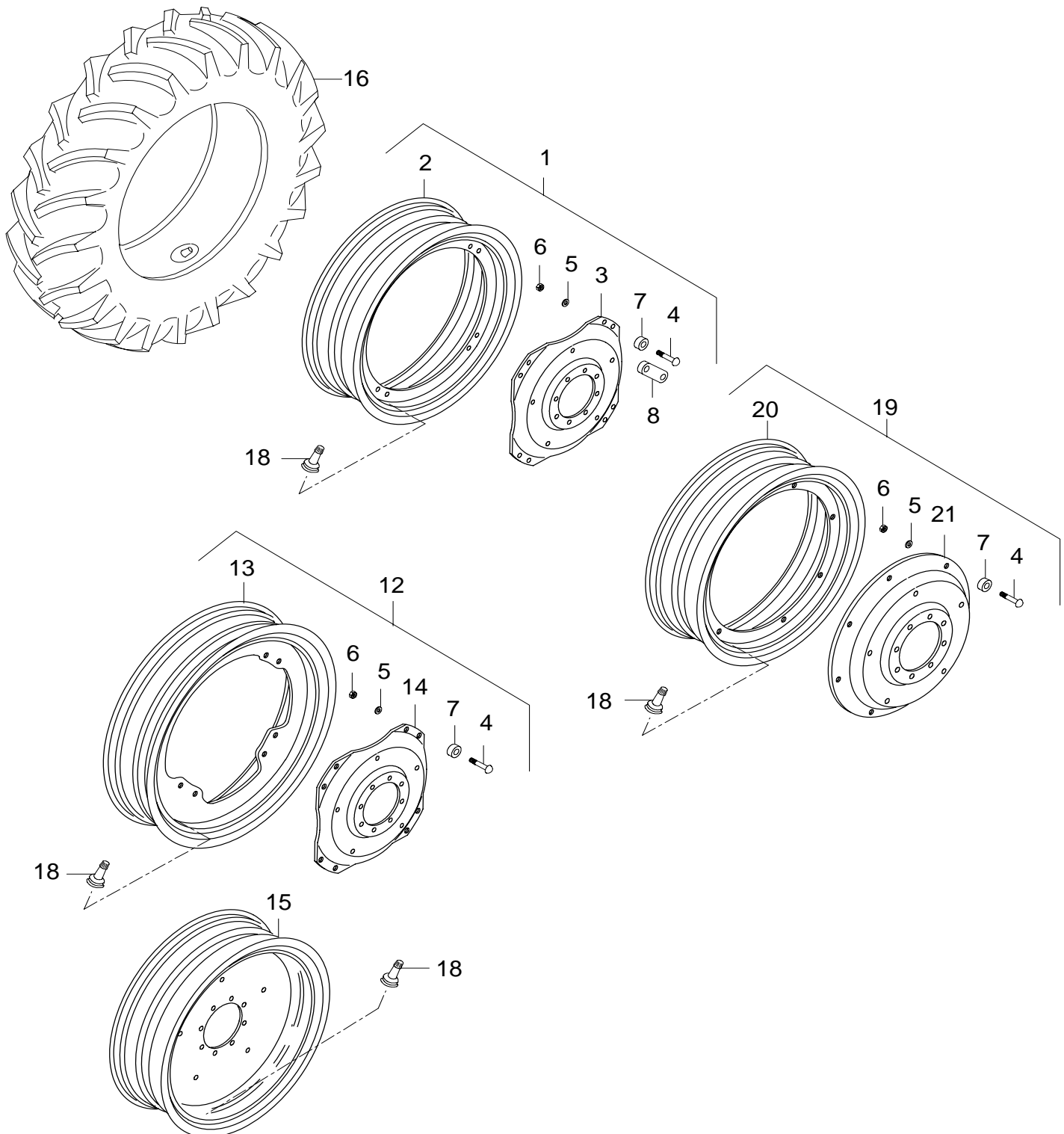
1



25.5.2007

N91c, N91h, N101c,  
N101h, N111c, N111h,  
N111eh, N121h,  
N121LS, N141h, N141LS

25.5.2007

N91c, N91h, N101c,  
N101h, N111c, N111h,  
N111eh, N121h,  
N121LS, N141h, N141LS

LISÄPAINOT  
(LISÄVARUSTE)

TILLÄGGSVIKTER  
(EXTRA UTRUSTNING)

BALLAST WEIGHTS  
(OPTIONAL EQUIPMENT)

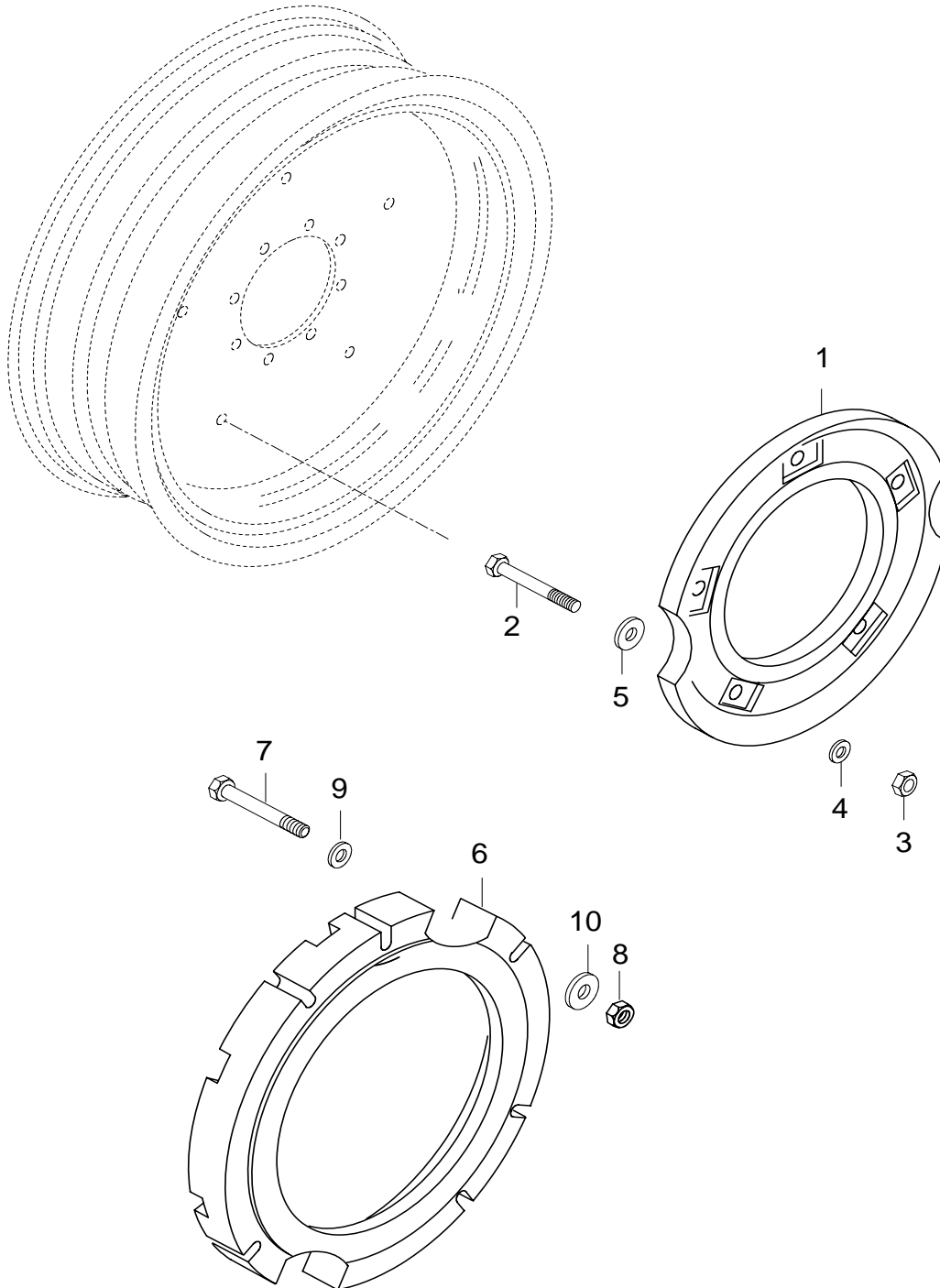
EXTRAGEWICHTE  
(EXTRAZUBEHÖR)

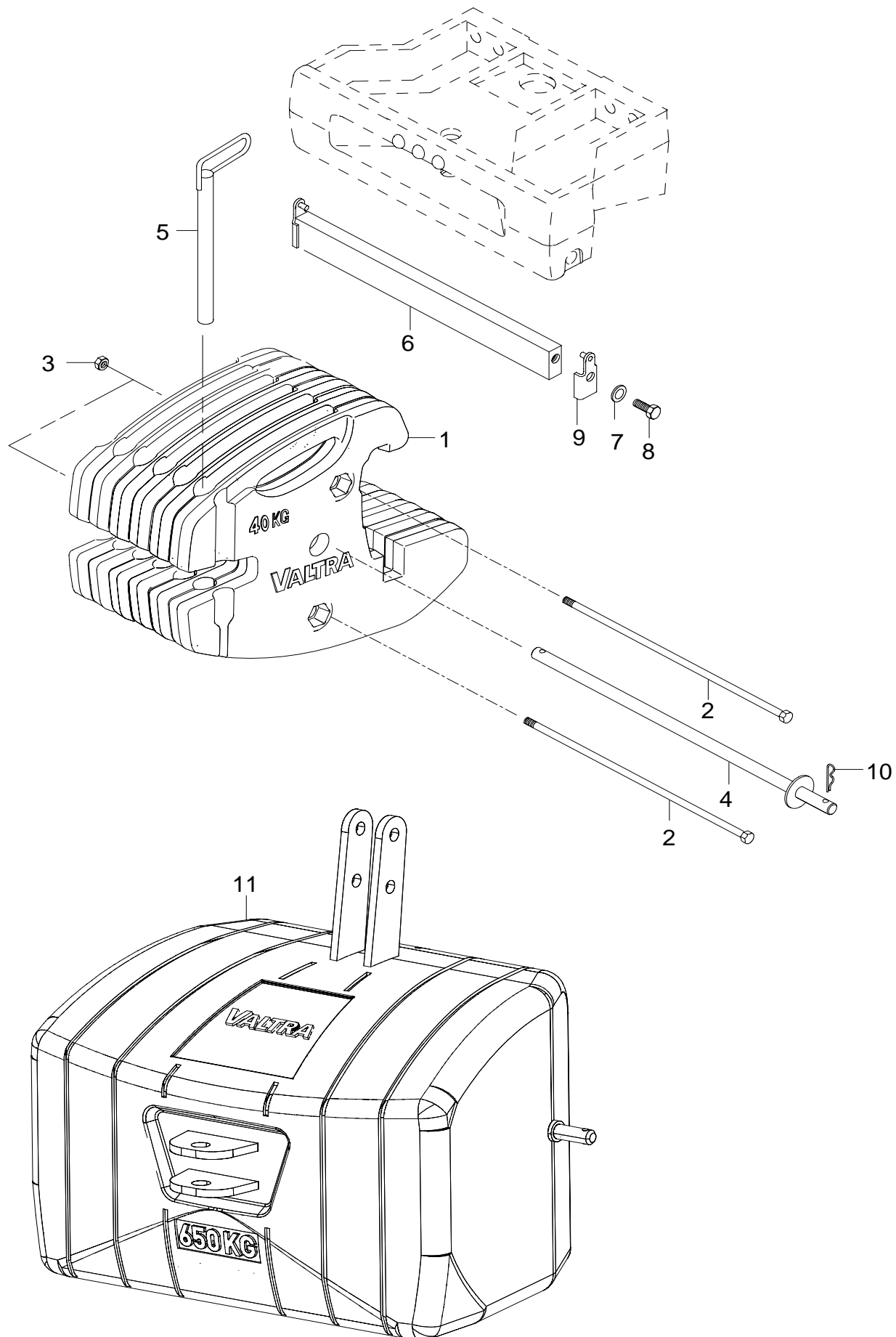
MASSES  
D'ALOURDISSEMENT  
(EQUIPEMENT  
OPTIONNEL)

79-01

25.5.2007

N91c, N91h, N101c,  
N101h, N111c, N111h,  
N111eh, N121h,  
N121LS, N141h, N141LS







VENTTIILIN SUOJUS  
(LISÄVARUSTE)

VENTILSKYDD (EXTRA  
UTRUSTNING)

VALVE PROTECTING  
COVER (OPTIONAL  
EQUIPMENT)

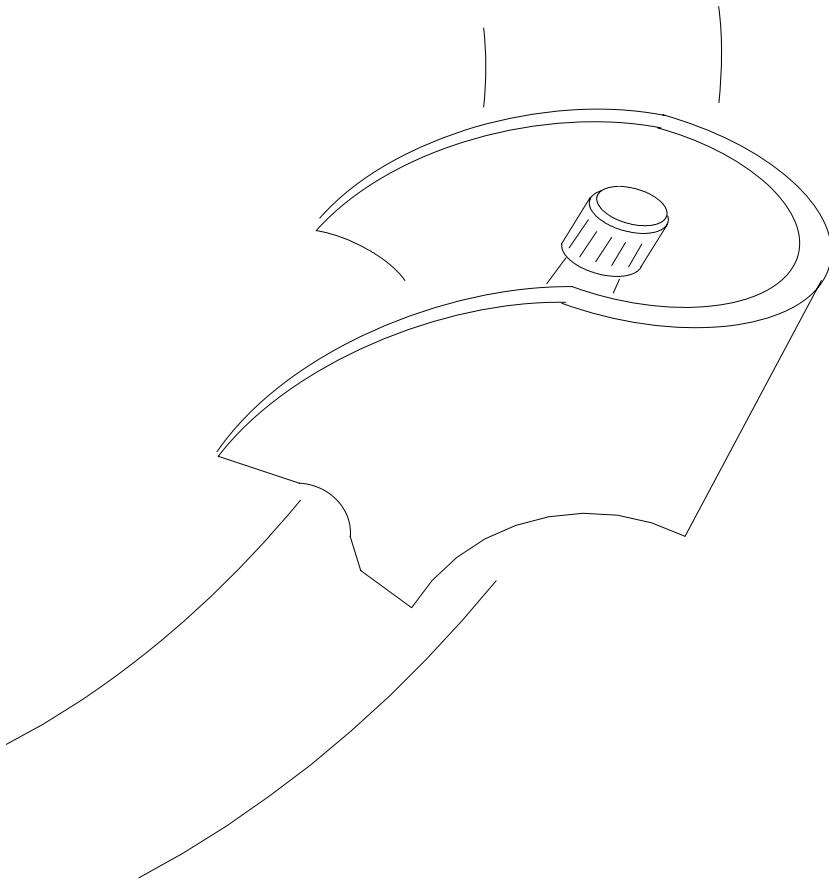
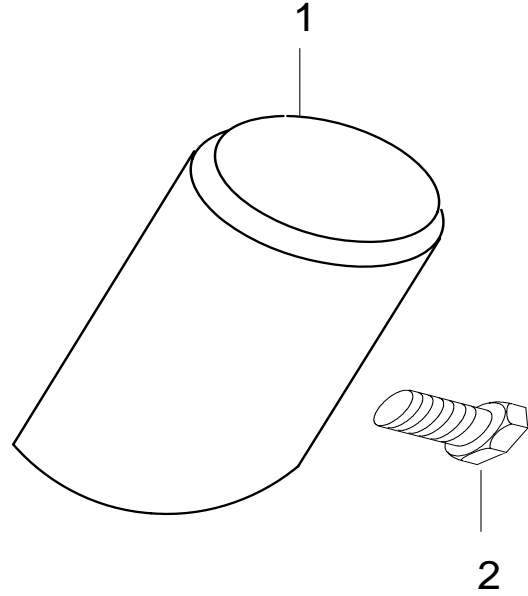
VENTILSCHUTZ (EXTRA  
ZUBEHÖR)

CHAPEAU DE LA  
BOUEILLE  
(EQUIPEMENT  
OPTIONNEL)

79-05

25.5.2007

N91c, N91h, N101c,  
N101h, N111c, N111h,  
N111eh, N121h,  
N121LS, N141h, N141LS



POLTTOAINESÄILIÖ,  
TERÄS (LISÄVARUSTE)

BRÄNSLETANK, STÅL  
(EXTRA UTRUSTNING)

FUEL TANK, STEEL  
(OPTIONAL EQUIPMENT)

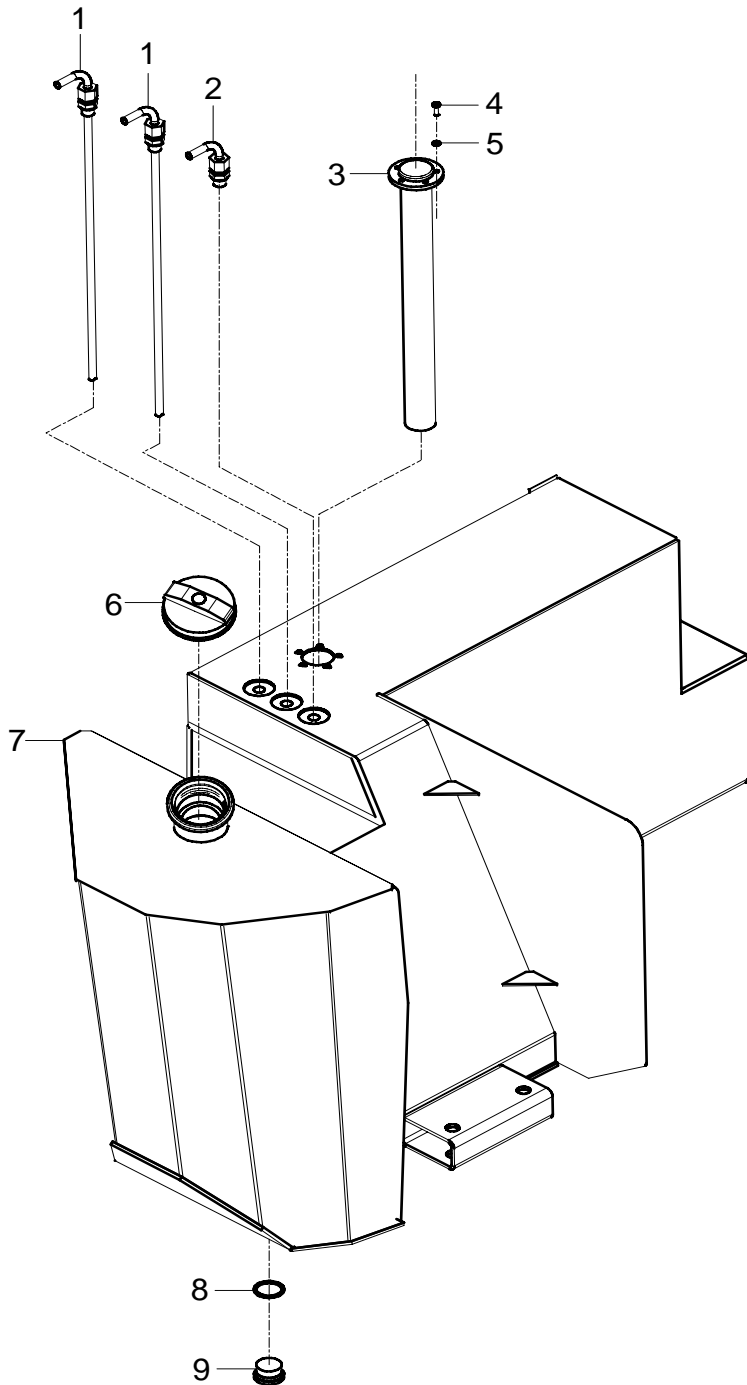
KRAFTSTOFFTANK,  
STAHL (EXTRA  
ZUBEHÖR)

RÉSERVOIR DE  
CARBURANT, ACIER  
(EQUIPEMENT  
OPTIONNEL)

79-07

25.5.2007

N91c, N91h, N101c,  
N101h, N111c, N111h,  
N111eh, N121h,  
N121LS, N141h, N141LS



METSÄSUOJA POLTTOAINESÄILIÖLLE (LISÄVARUSTE)	SKOGSSKYDD FÖRBRÄNSLETANK (EXTRA UTRUSTNING)	FOREST GUARDING FORFUEL TANK (OPTIONAL EQUIPMENT)	FORSTSCHUTZ FÜR KRAFTSTOFFTANK (EXTRA ZUBEHÖR)	PROTECTION FORESTIÈRE POUR RÉSERVOIR DE CARBURANT (EQUIPEMENT OPTIONNEL)	79-09 25.5.2007 N91c, N91h, N101c, N101h, N111c, N111h, N111eh, N121h, N121LS, N141h, N141LS
----------------------------------------------------	----------------------------------------------------	---------------------------------------------------------	------------------------------------------------------	-----------------------------------------------------------------------------------------	-------------------------------------------------------------------------------------------------------------

