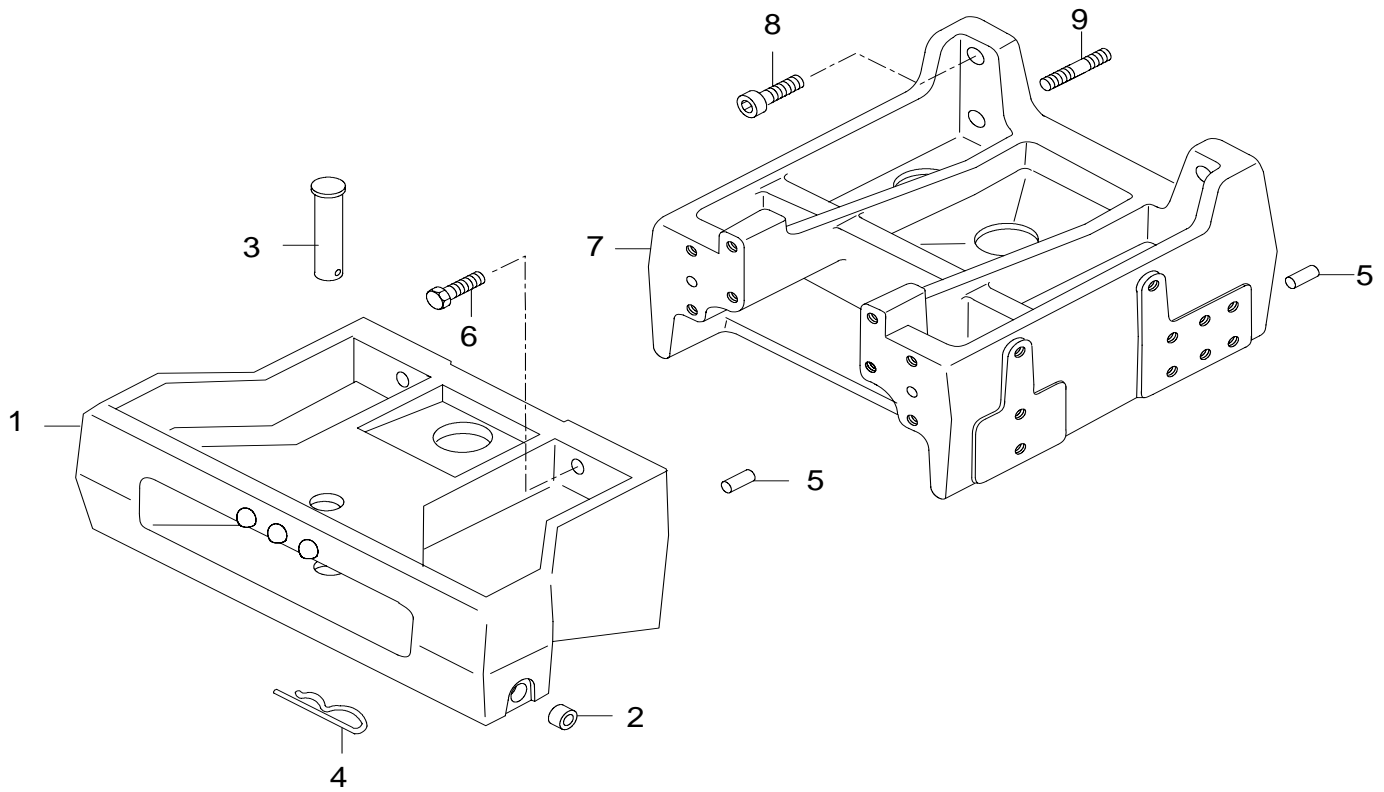
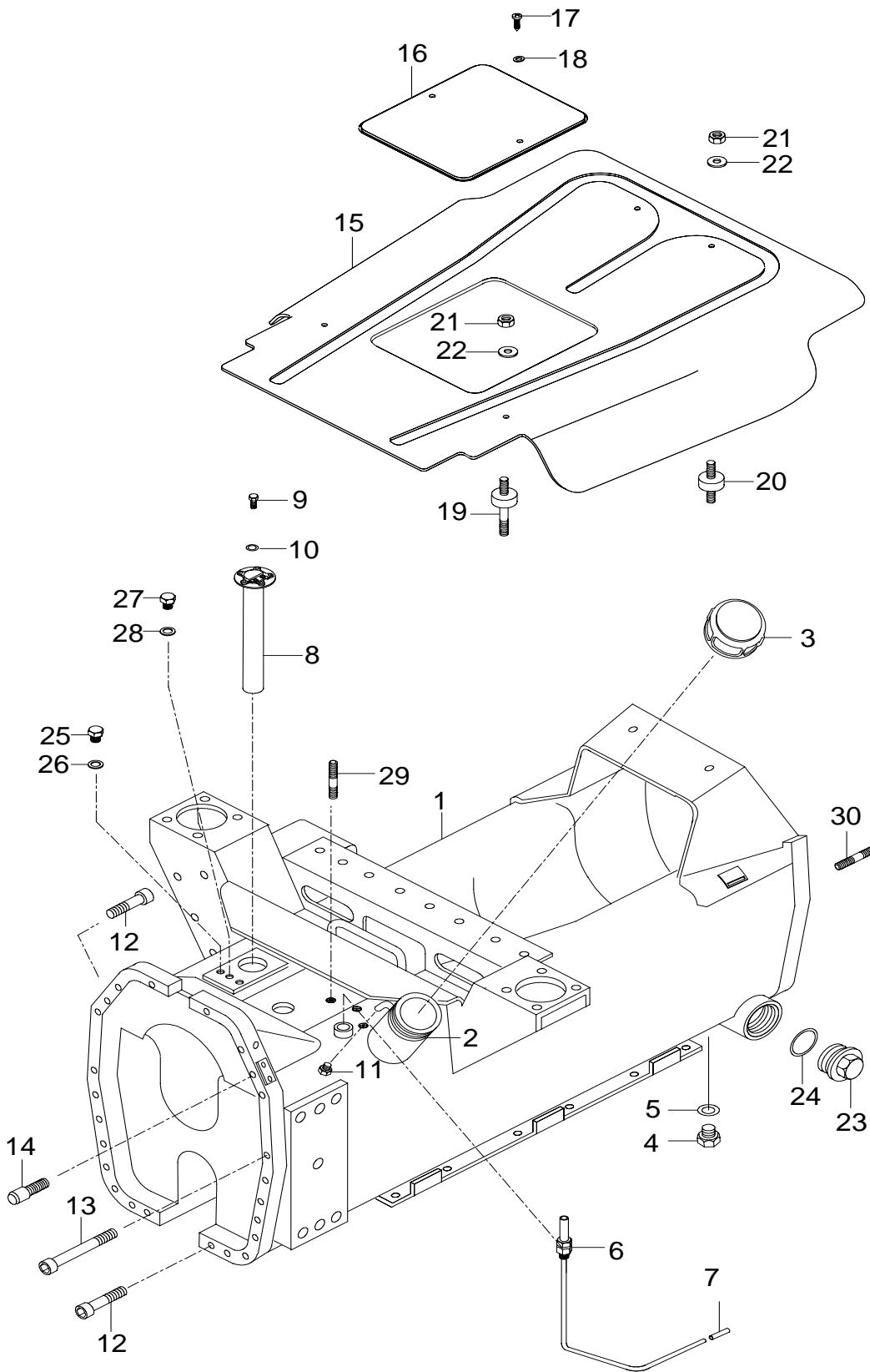


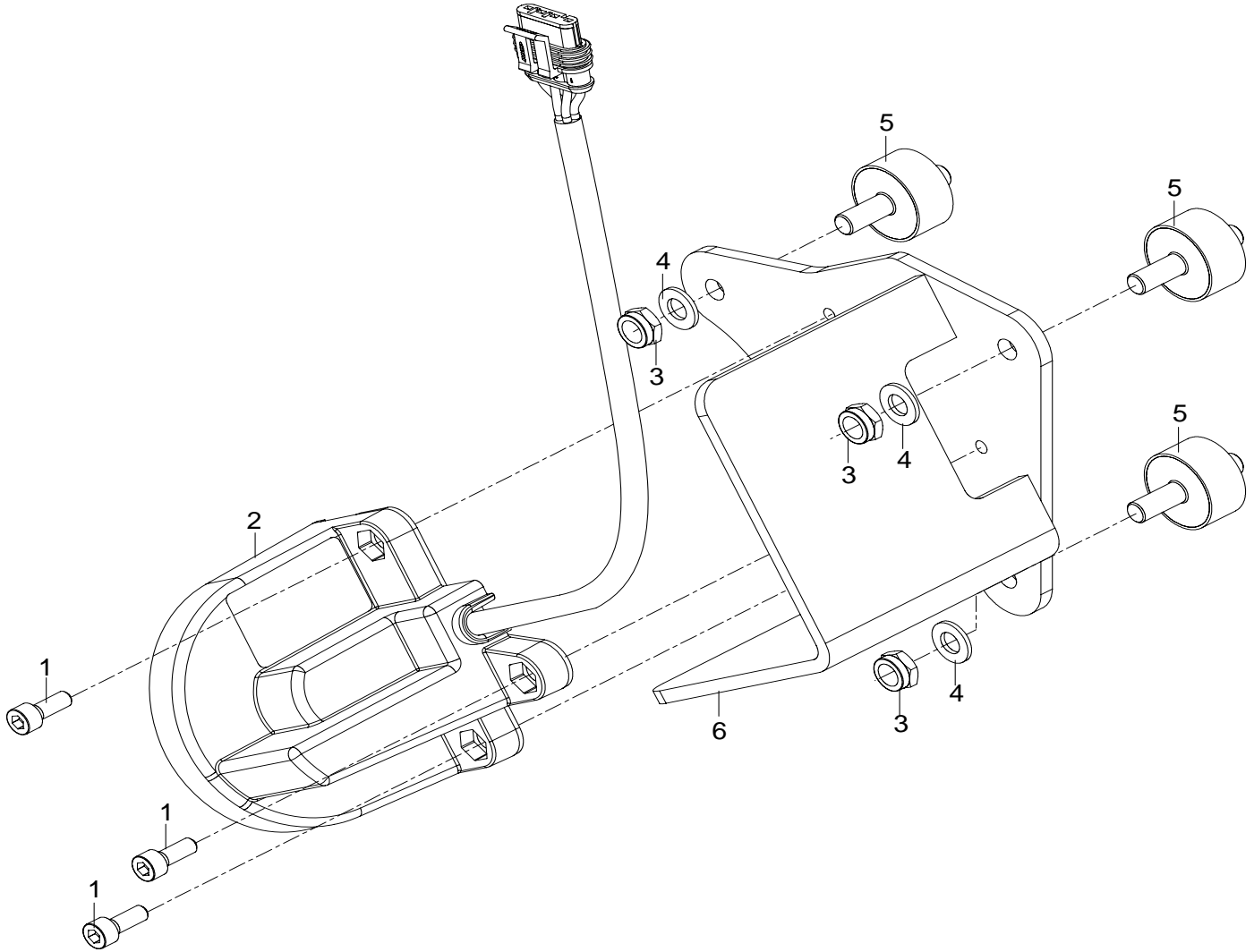
1.6.2007

T121c, T121h, T131c, T131h,
T151eh, T151eLS, T161c, T161h,
T161LS, T171c, T171h, T171LS,
T191h, T191LS

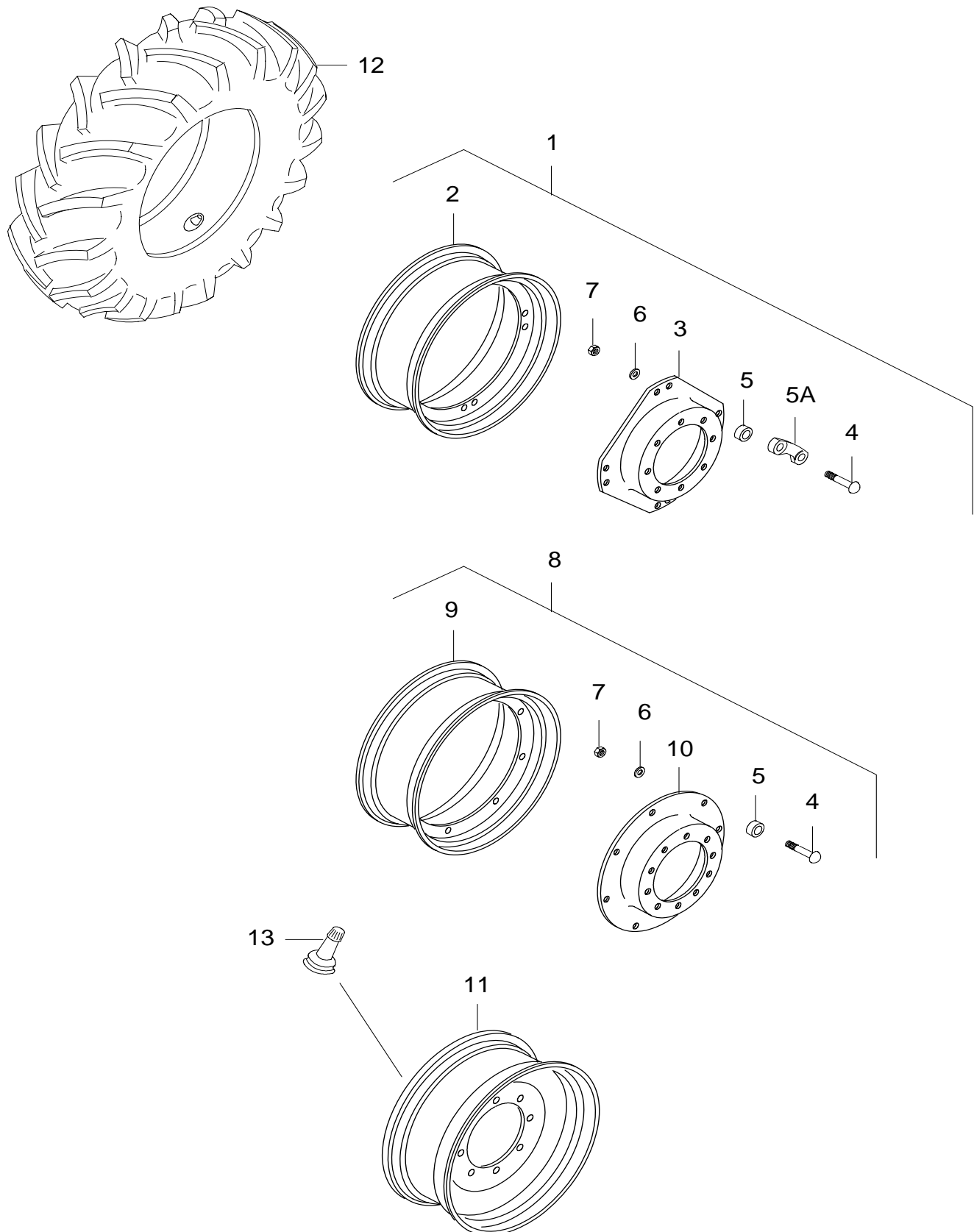
1.6.2007

T121c, T121h, T131c, T131h,
T151eh, T151eLS, T161c, T161h,
T161LS, T171c, T171h, T171LS,
T191h, T191LS

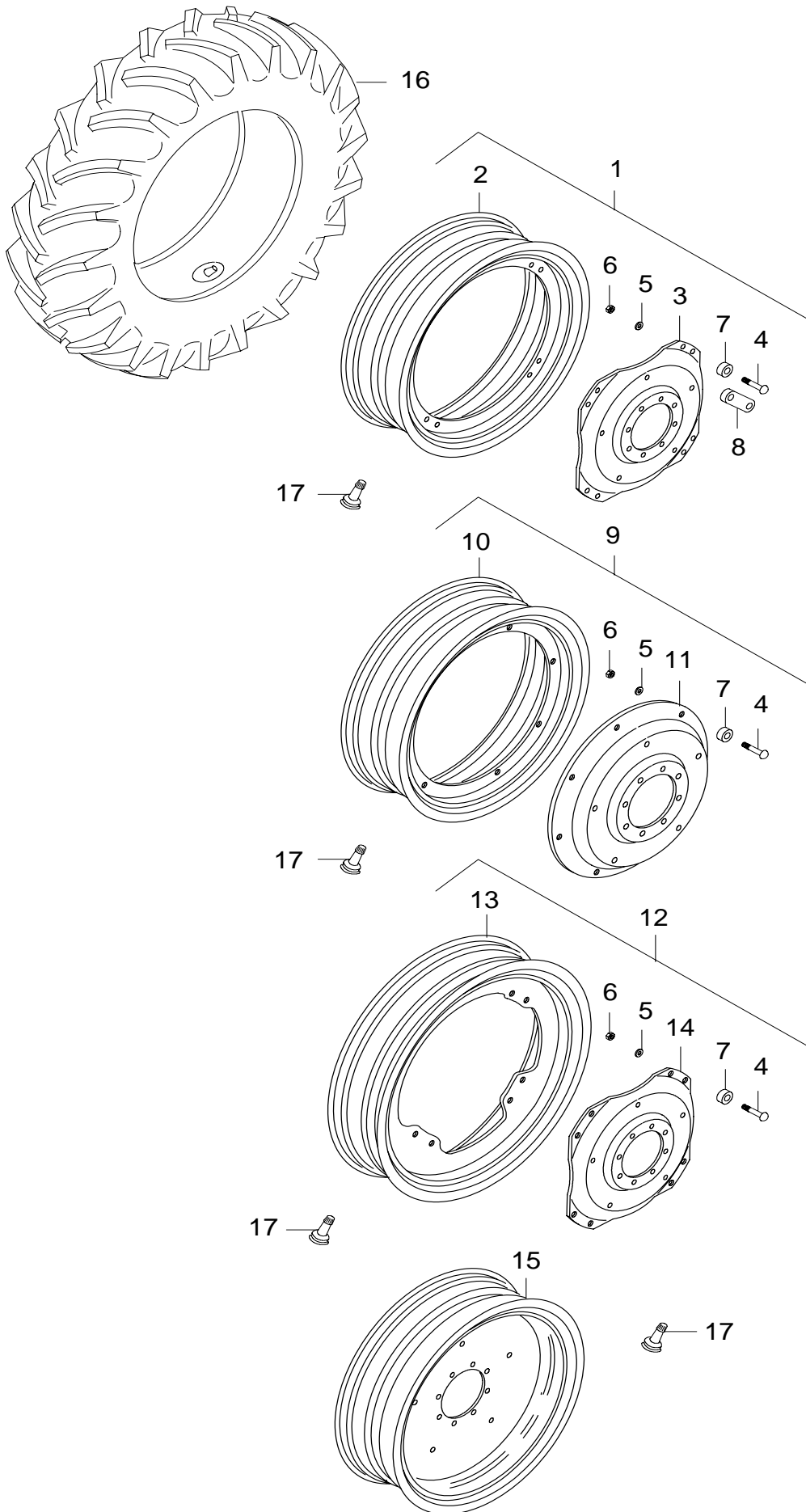




1.6.2007

T121c, T121h, T131c, T131h,
T151eh, T151eLS, T161c, T161h,
T161LS, T171c, T171h, T171LS,
T191h, T191LS

1.6.2007
 T121c, T121h, T131c, T131h,
 T151eh, T151eLS, T161c, T161h,
 T161LS, T171c, T171h, T171LS,
 T191h, T191LS



LISÄPAINOT
(LISÄVARUSTE)

TILLÄGGSVIKTER
(EXTRA
UTRUSTNING)

BALLAST WEIGHTS
(OPTIONAL
EQUIPMENT)

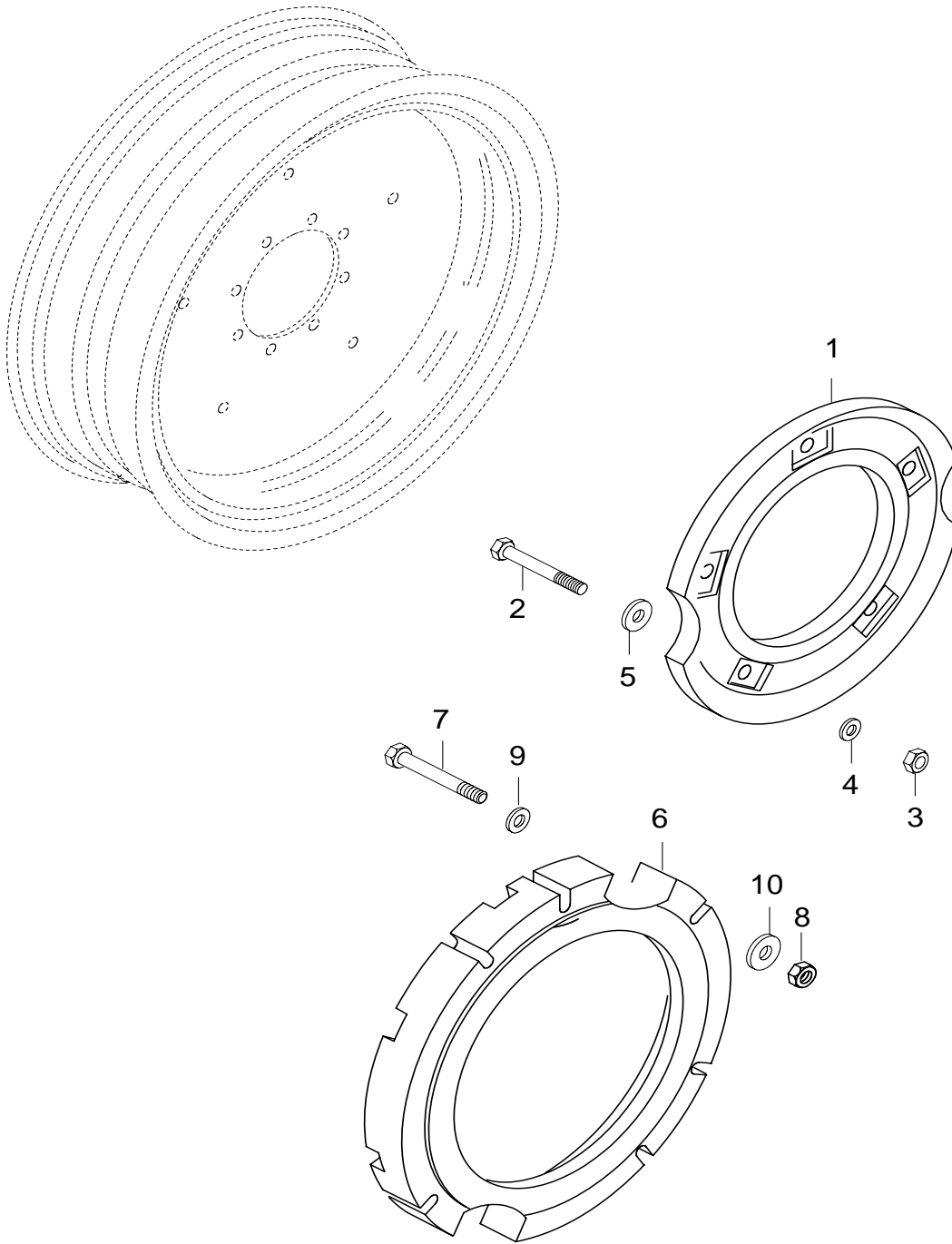
EXTRAGEWICHTE
(EXTRAZUBEHÖR)

MASSES
D'ALOURDISSEMENT
(EQUIPEMENT
OPTIONNEL)

79-01

1.6.2007

T121c, T121h, T131c, T131h,
T151eh, T151eLS, T161c, T161h,
T161LS, T171c, T171h, T171LS,
T191h, T191LS



LISÄPAINOT
(LISÄVARUSTE)

TILLÄGGSVIKTER
(EXTRA
UTRUSTNING)

BALLAST WEIGHTS
(OPTIONAL
EQUIPMENT)

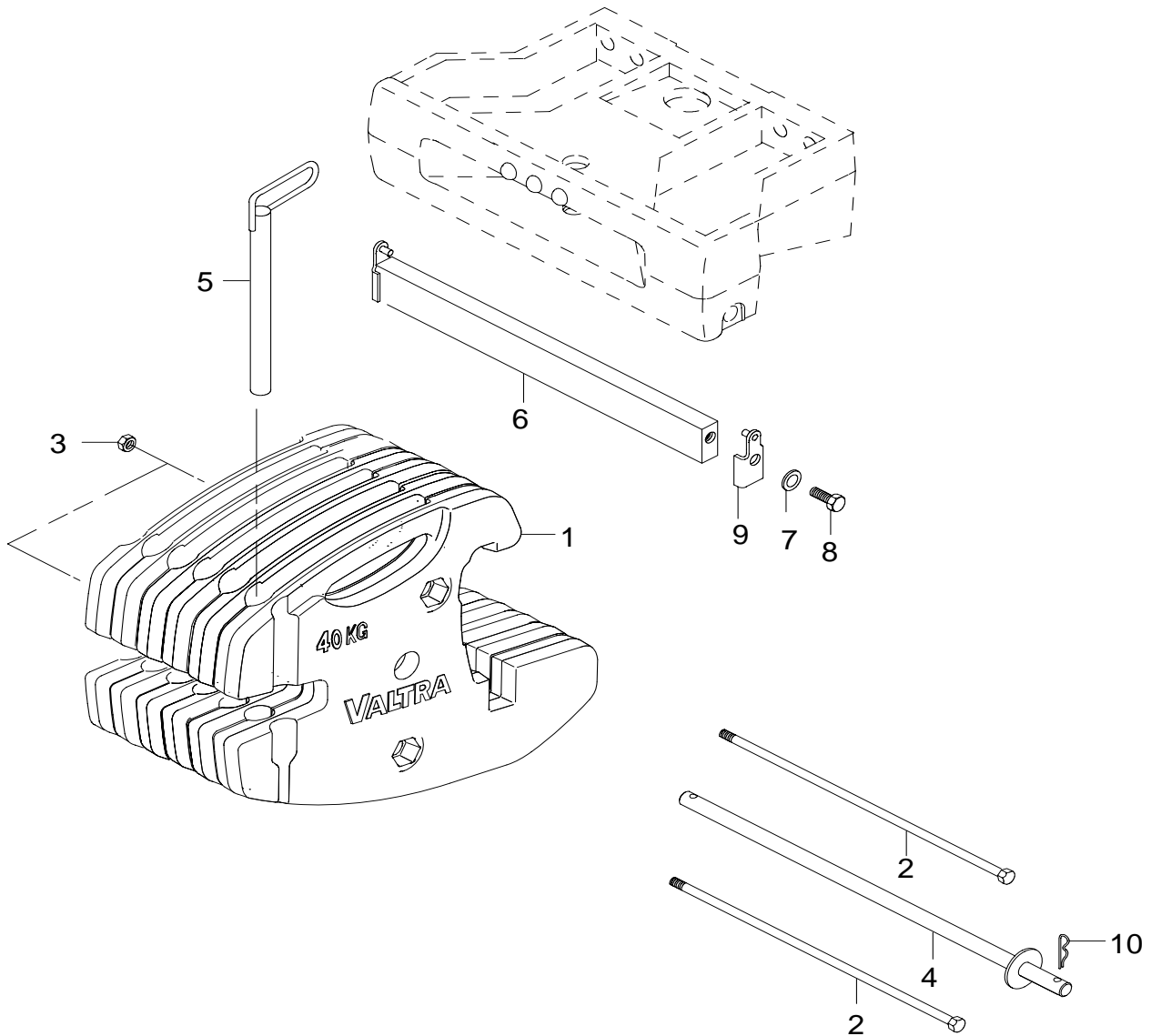
EXTRAGEWICHTE
(EXTRAZUBEHÖR)

MASSSES
D'ALOURDISSEMENT
(EQUIPEMENT
OPTIONNEL)

79-03

1.6.2007

T121c, T121h, T131c, T131h,
T151eh, T151eLS, T161c, T161h,
T161LS, T171c, T171h, T171LS,
T191h, T191LS



LISÄPAINOT
(LISÄVARUSTE)

TILLÄGGSVIKTER
(EXTRA
UTRUSTNING)

BALLAST WEIGHTS
(OPTIONAL
EQUIPMENT)

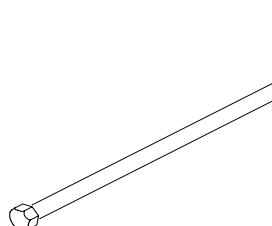
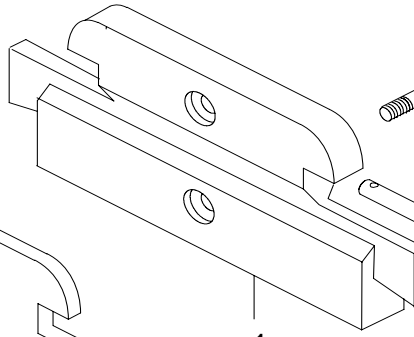
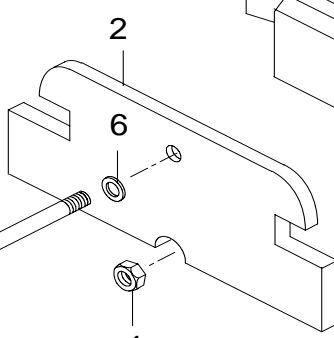
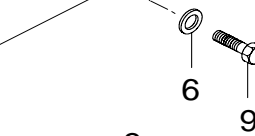
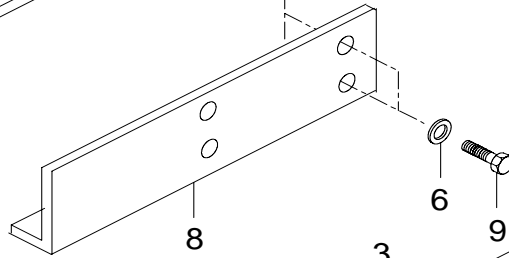
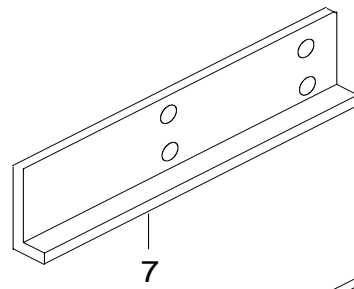
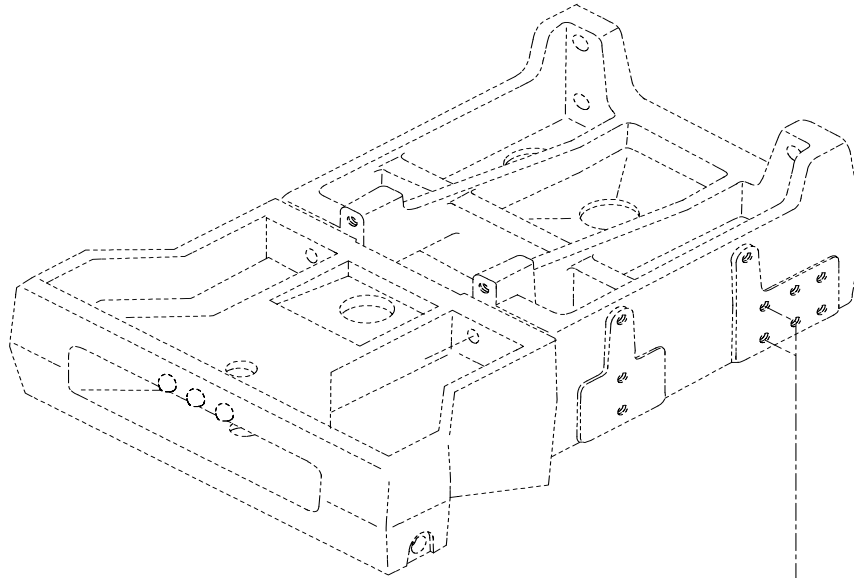
EXTRAGEWICHTE
(EXTRAZUBEHÖR)

MASSES
D'ALOURDISSEMENT
(EQUIPEMENT
OPTIONNEL)

79-05

1.6.2007

T121c, T121h, T131c, T131h,
T151eh, T151eLS, T161c, T161h,
T161LS, T171c, T171h, T171LS,
T191h, T191LS



LISÄPAINOT
(LISÄVARUSTE)

TILLÄGGSVIKTER
(EXTRA
UTRUSTNING)

BALLAST WEIGHTS
(OPTIONAL
EQUIPMENT)

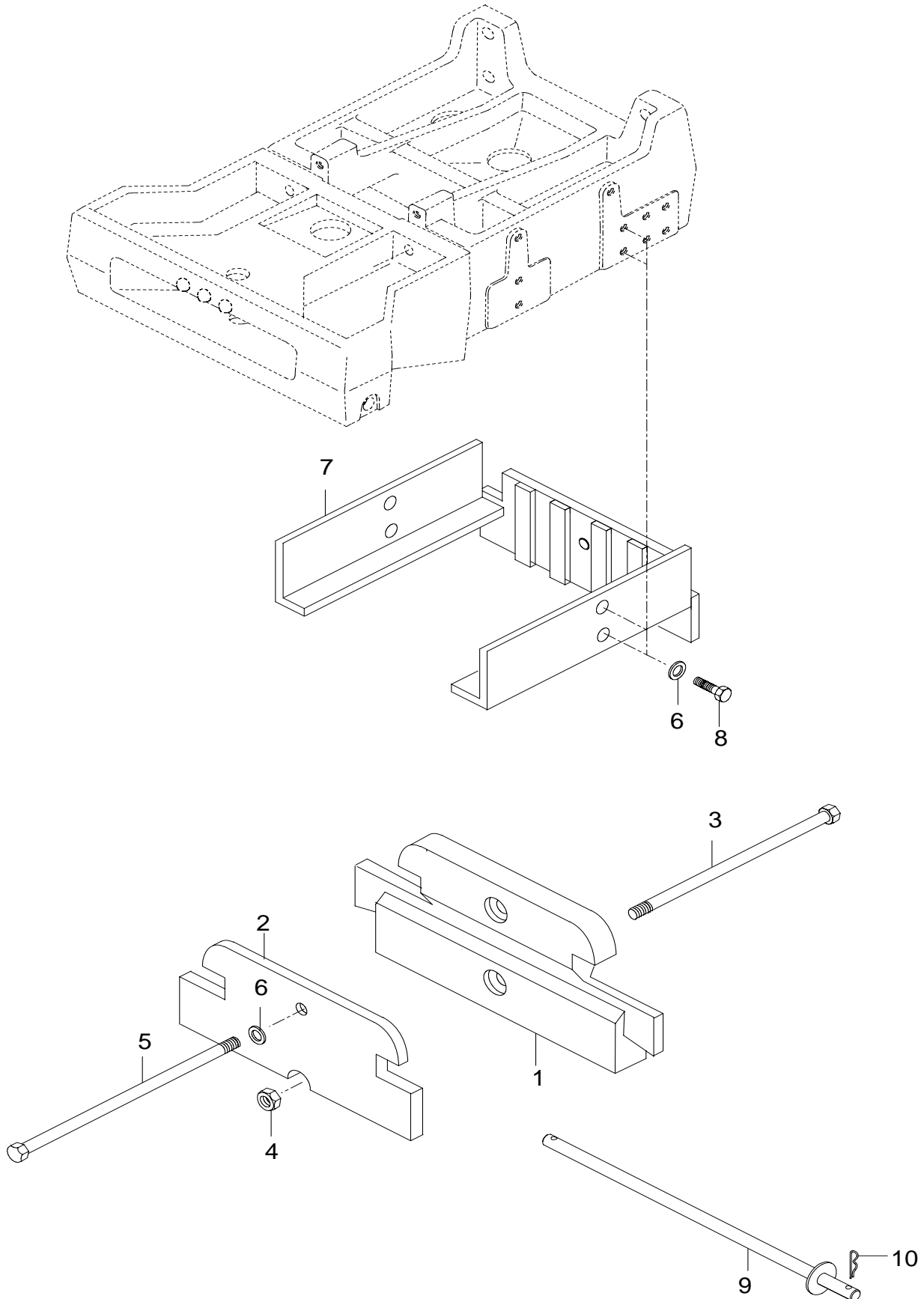
EXTRAGEWICHTE
(EXTRAZUBEHÖR)

MASSES
D'ALOURDISSEMENT
(EQUIPEMENT
OPTIONNEL)

79-07

1.6.2007

T121c, T121h, T131c, T131h,
T151eh, T151eLS, T161c, T161h,
T161LS, T171c, T171h, T171LS,
T191h, T191LS



LISÄPAINOT
(LISÄVARUSTE)

TILLÄGGSVIKTER
(EXTRA
UTRUSTNING)

BALLAST WEIGHTS
(OPTIONAL
EQUIPMENT)

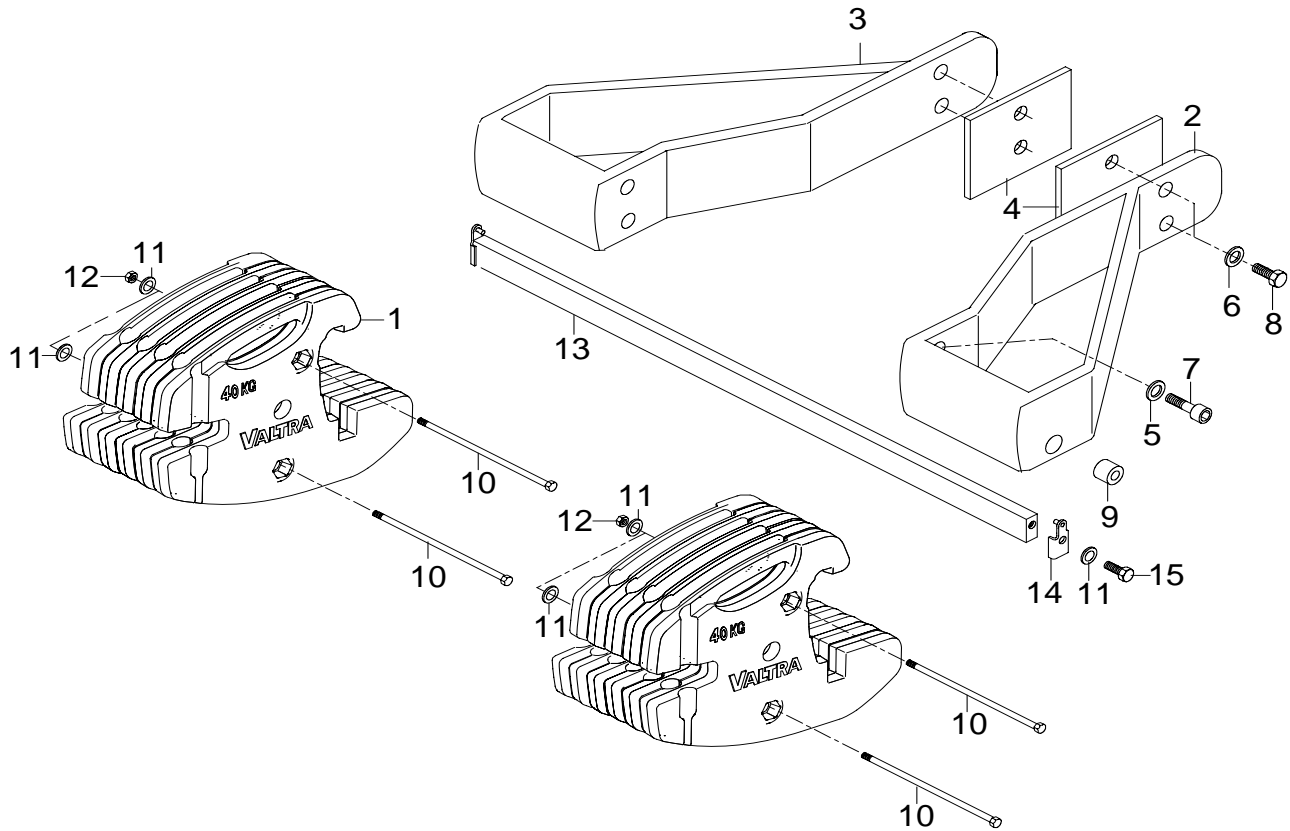
EXTRAGEWICHTE
(EXTRAZUBEHÖR)

MASSES
D'ALOURDISSEMENT
(EQUIPEMENT
OPTIONNEL)

79-09

1.6.2007

T121c, T121h, T131c, T131h,
T151eh, T151eLS, T161c, T161h,
T161LS, T171c, T171h, T171LS,
T191h, T191LS



VALTRA

LISÄPAINOT
(LISÄVARUSTE)

TILLÄGGSVIKTER
(EXTRA
UTRUSTNING)

BALLAST WEIGHTS
(OPTIONAL
EQUIPMENT)

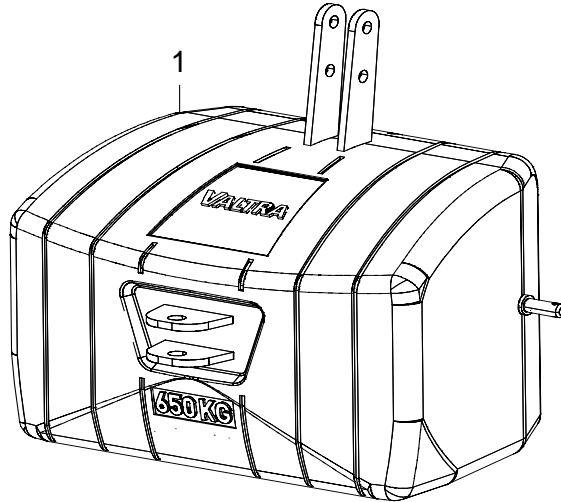
EXTRAGEWICHTE
(EXTRAZUBEHÖR)

MASSES
D'ALOURDISSEMENT
(EQUIPEMENT
OPTIONNEL)

79-11

1.6.2007

T121c, T121h, T131c, T131h,
T151eh, T151eLS, T161c, T161h,
T161LS, T171c, T171h, T171LS,
T191h, T191LS



LISÄPOLTTO-
AINESÄILIÖ
(LISÄVARUSTE)

EXTRA BRÄNLETANK
(EXTRA
UTRUSTNING)

EXTRA FUEL TANK
(OPTIONAL
EQUIPMENT)

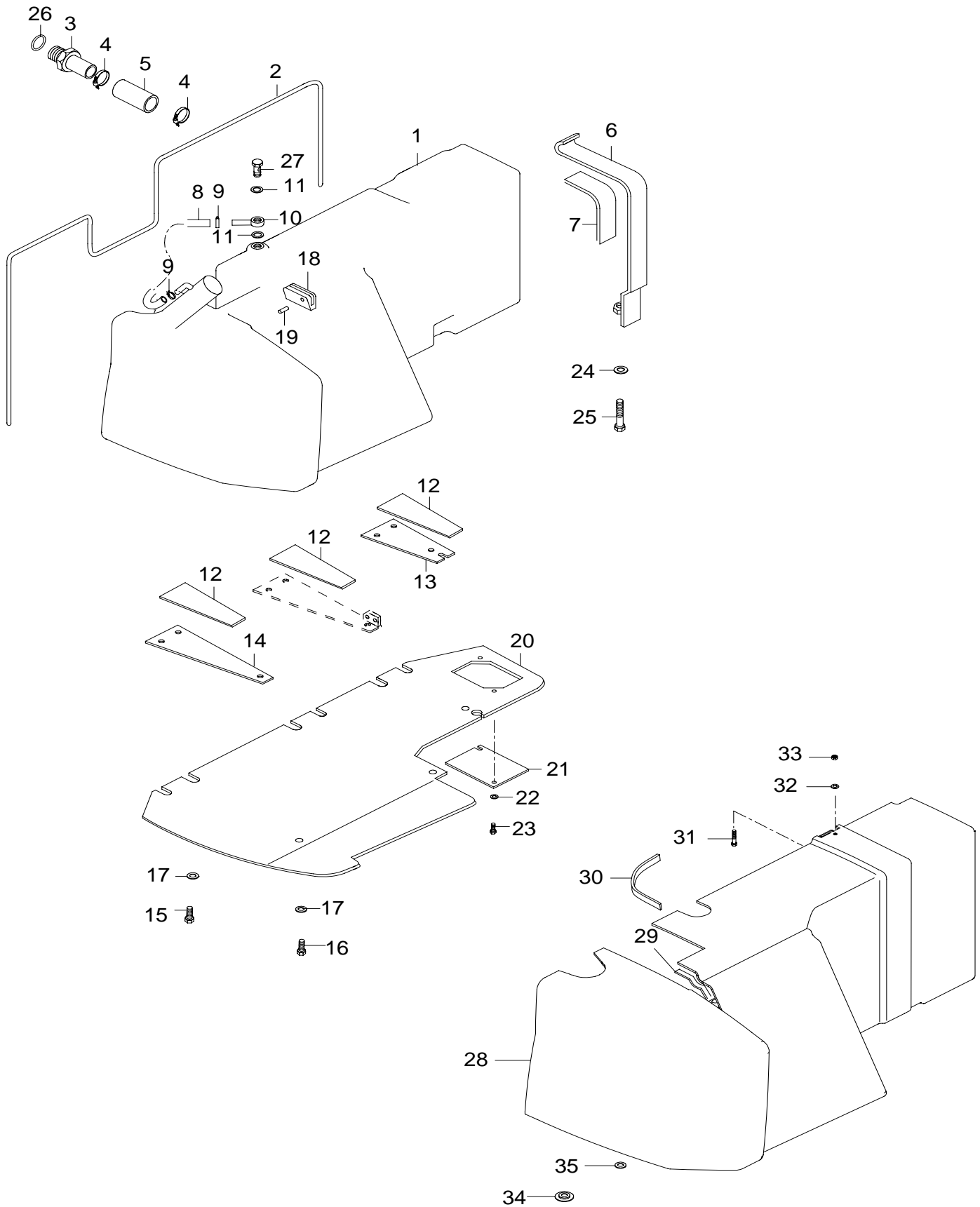
ZUSATZKRAFTSTOFF
TANK
(EXTRAZUBEHÖR)

RESERVOIR DE
CARBURANT
SUPPLEMENTAIRE
(EQUIP. OPT.)

79-13

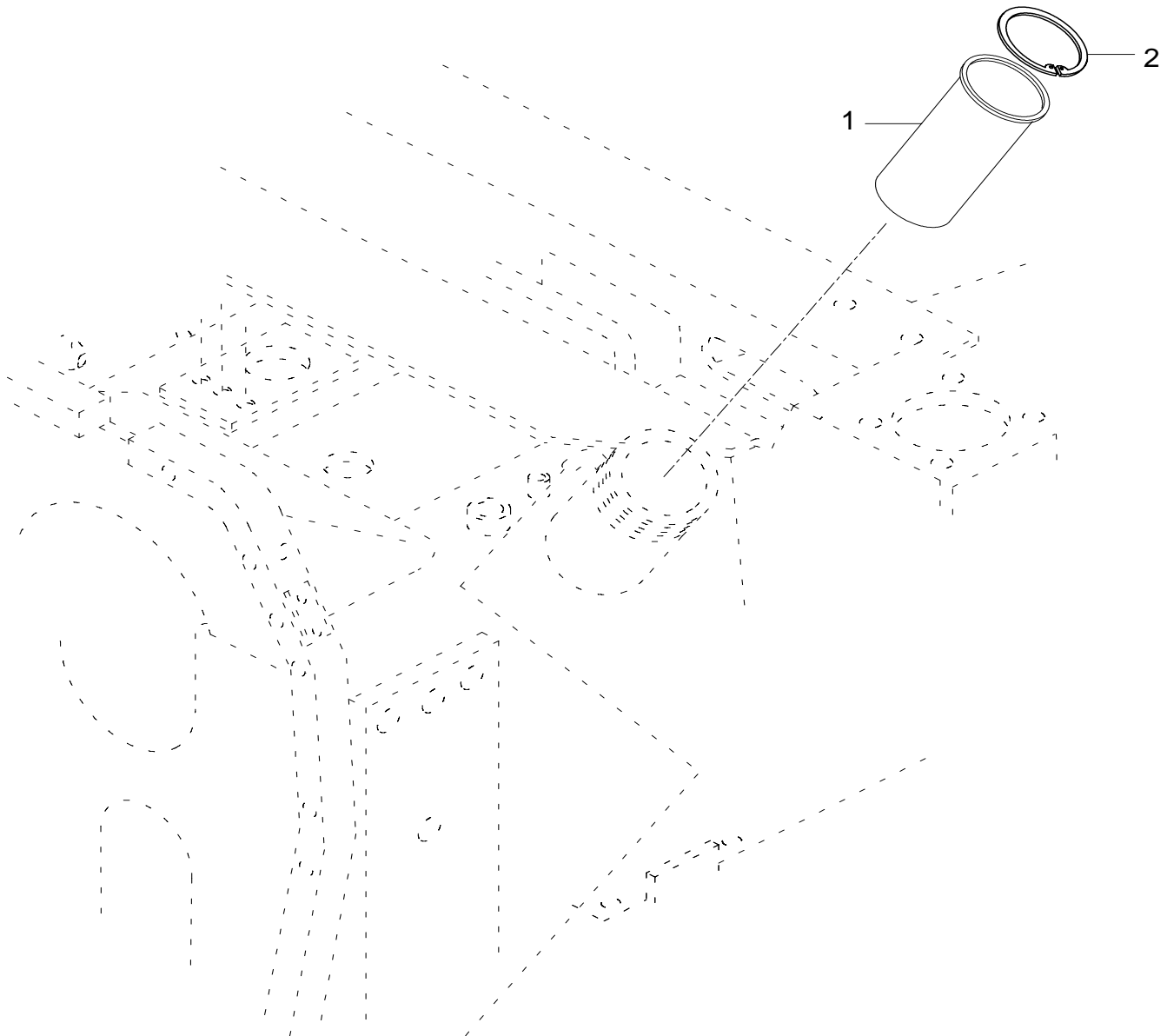
1.6.2007

T121c, T121h, T131c, T131h,
T151eh, T151eLS, T161c, T161h,
T161LS, T171c, T171h, T171LS,
T191h, T191LS



POLTTOAINE SIIVILÄ (LISÄVARUSTE)	BRÄNSLESIL (EXTRA UTRUSTNING)	FUEL STRAINER (OPTIONAL EQUIPMENT)	BRENNSTOFFSIEB (EXTRAZUBEHÖR)	FILTRE A CARBURANT (EQUIPEMENT OPTIONNEL)
-------------------------------------	----------------------------------	--	----------------------------------	--

79-15
1.6.2007
T121c, T121h, T131c, T131h,
T151eh, T151eLS, T161c, T161h,
T161LS, T171c, T171h, T171LS,
T191h, T191LS



VENTTIILIN SUOJUS
(LISÄVARUSTE)

VENTILSKYDD
(EXTRA
UTRUSTNING)

VALVE PROTECTING
COVER (OPTIONAL
EQUIPMENT)

VENTILSCHUTZ
(EXTRA ZUBEHÖR)

CHAPEAU DE LA
BOUEILLE
(EQUIPEMENT
OPTIONNEL)

79-17

1.6.2007

T121c, T121h, T131c, T131h,
T151eh, T151eLS, T161c, T161h,
T161LS, T171c, T171h, T171LS,
T191h, T191LS

